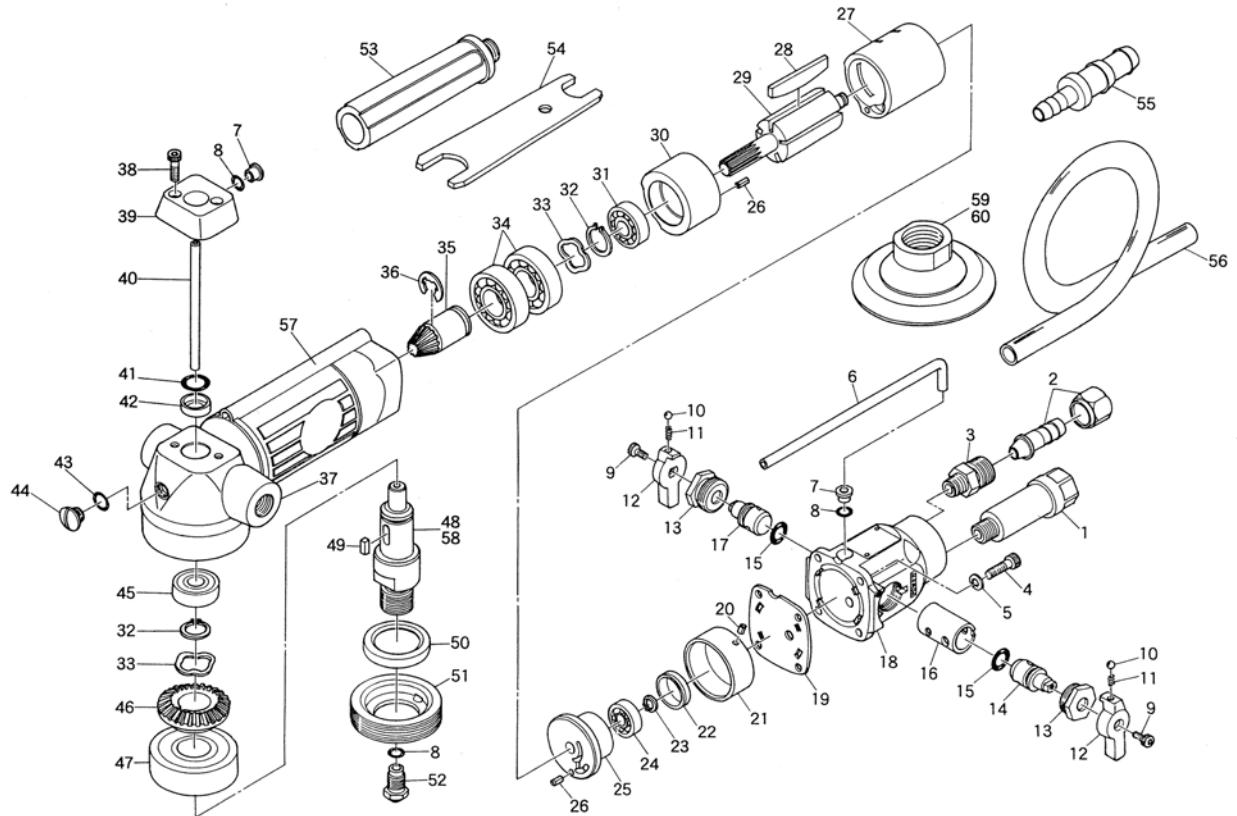


# E2320W / E2320W-E

## Wet Sander



| Ref. No. | Parts No. | Description        | Q'ty | Ref. No. | Parts No. | Description                  | Q'ty |
|----------|-----------|--------------------|------|----------|-----------|------------------------------|------|
| 1        | 1110A-48  | Inlet Bushing      | 1    | 31       | 608       | Ball Bearing                 | 1    |
| 2        | 1110A-62  | Hose Nipple        | 1    | 32       | JS-15     | Retaining Ring               | 2    |
| 3        | 1110A-22  | Hose Adaptor       | 1    | 33       | WW-150    | Wave Washer                  | 2    |
| 4        | Z-832-160 | Cap Screw          | 4    | 34       | 6002      | Ball Bearing                 | 2    |
| 5        | HSW-40    | Washer             | 4    | 35       | 1110A-12  | Pinion Gear                  | 1    |
| 6        | 1110-9    | Outer Pipe         | 1    | 36       | IE-8      | Retaining Ring               | 1    |
| 7        | 1110-17   | Pipe Bush          | 2    | 37       | 1110A-1   | Motor Housing                | 1    |
| 8        | P-4       | O-Ring             | 3    | 38       | Z-M30-120 | Cap Screw                    | 2    |
| 9        | Z-M30-80  | Cap Screw          | 2    | 39       | 1110-3    | Pipe Connector               | 1    |
| 10       | SB-1/8    | Steel Ball         | 2    | 40       | 1110-23   | Inner Pipe                   | 1    |
| 11       | 450-45    | Regulator Spring   | 2    | 41       | S-12      | O-Ring                       | 1    |
| 12       | 1110-4    | Lever              | 2    | 42       | G8-14-4   | Oil Seal                     | 1    |
| 13       | 1110-21   | Valve Nut          | 2    | 43       | S-7       | O-Ring                       | 1    |
| 14       | 1110A-18  | Air Valve          | 1    | 44       | 1110A-6   | Grease Plug                  | 1    |
| 15       | P-7       | O-Ring             | 2    | 45       | 608-LLU   | Ball Bearing                 | 1    |
| 16       | 1110A-20  | Valve Bush         | 1    | 46       | 1110A-13  | Bevel Gear                   | 1    |
| 17       | 1110A-19  | Water Valve        | 1    | 47       | 6302-LLU  | Ball Bearing                 | 1    |
| 18       | 1110A-2   | Valve Housing      | 1    | 48       | 1110-11   | Spindle (M16 P=2)            | 1    |
| 19       | 1110A-7   | Gasket             | 1    | 49       | 940-46    | Key                          | 1    |
| 20       | 25-4      | Roll Pin (2.5-4mm) | 1    | 50       | G23-32-7  | Oil Seal                     | 1    |
| 21       | 1110A-5   | Rear Case          | 1    | 51       | 1110-15   | Spindle Cap                  | 1    |
| 22       | 680-34    | Bearing Cap        | 1    | 52       | 1110A-16  | Nozzle                       | 1    |
| 23       | JS-6      | Retaining Ring     | 1    | 53       | 240-50    | Dead Handle                  | 1    |
| 24       | 626       | Ball Bearing       | 1    | 54       | 350-28    | Spanner Wrench (14x19mm)     | 1    |
| 25       | 1110-26A  | Rear Plate         | 1    | 55       | 1110A-61  | Water Hose Joint             | 1    |
| 26       | 25-5      | Roll Pin (2.5-5mm) | 2    | 56       | 1110A-64  | Water Hose                   | 1    |
| 27       | 1110-24A  | Cylinder           | 1    | 57       | 1110A-8   | Housing Cover                | 1    |
| 28       | 350-16    | Rotor Blade        | 5    | ★58      | 1110A-11E | Spindle (M14 P=2)            | 1    |
| 29       | 1110-10A  | Rotor              | 1    | ◆59      | 1110A-80  | 80 φ mm Velcro Pad (M16 P=2) |      |
| 30       | 1110-25A  | Front Plate        | 1    | ★◆60     | 1110A-80E | 80 φ mm Velcro Pad (M14 P=2) |      |

★For E-2320W-E  
◆Option

Printed in Japan  
Dec. 2000