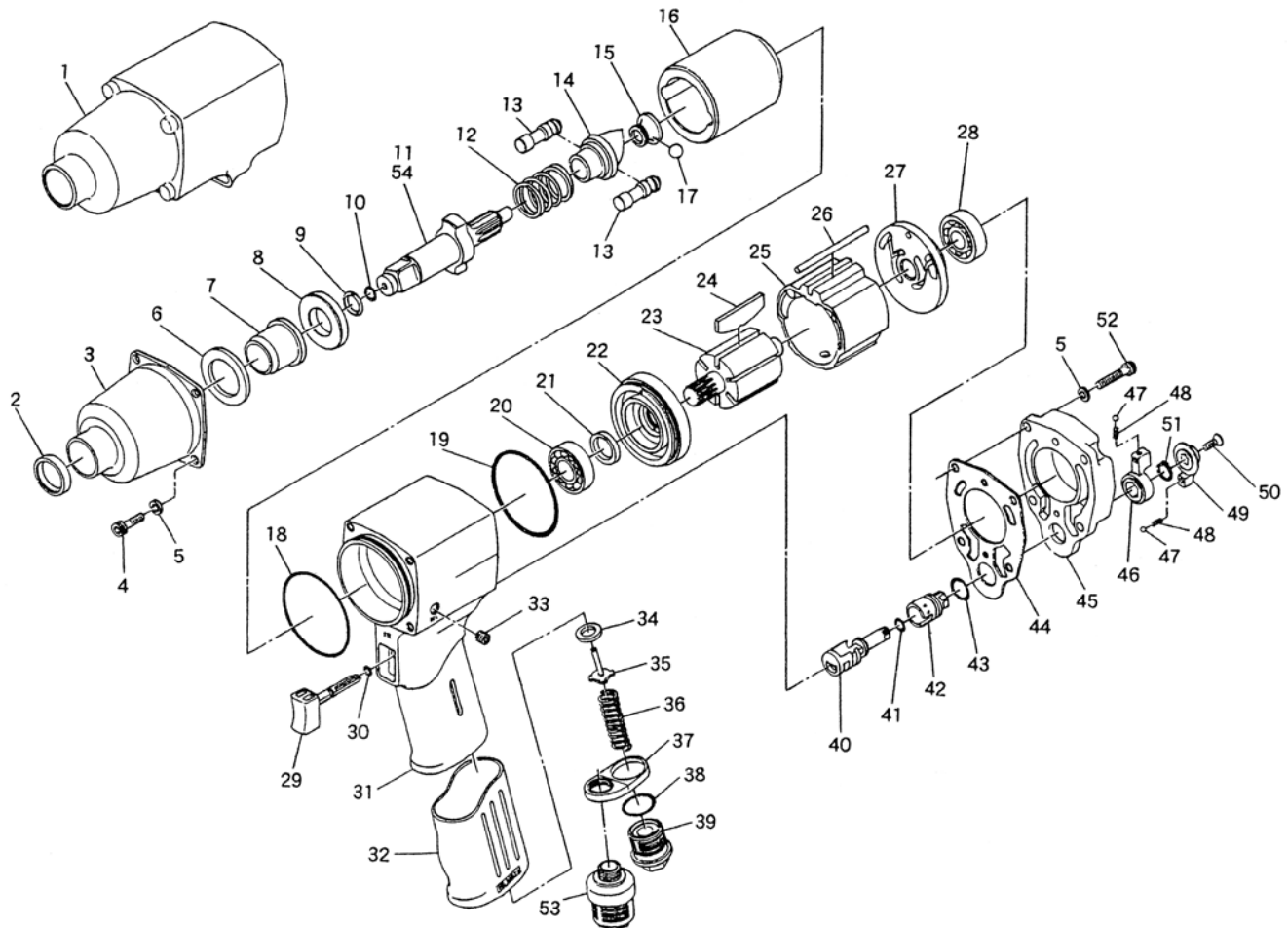


E1470SR

1/2" Sq. Drv. Impact Wrench

E1472SR

Long Anvil 1/2" Sq. Drv. Impact Wrench



Ref. No.	Parts No.	Description	Q'ty	Ref. No.	Parts No.	Description	Q'ty
1	911A-17	Housing Cover (Black)	1	28	6201	Ball Bearing	1
2	911-12	Oil Seal	1	29	911A-9	Trigger	1
3	911A-13	Clutch Housing incl. Bush, Seal & Spacer (911-10, 911-12, 911-54)	1	30	216-6	O-Ring	1
4	Z-1024-150	Cap Screw	4	31	911ASR-3	Motor Housing incl. Reverse Bushing (911ASR-2)	1
5	HSW-50	Washer	8	32	911A-11	Grip Cover	1
6	911-54	Spacer	1	33	PTN-1/16	Plug	1
7	911-10	Anvil Bushing	1	34	960-34	Valve Seat	1
8	911-9	Anvil Spacer	1	35	960-35A	Valve Assy. incl. Roll Pin (30-32)	1
9	911-8	Socket Retainer Ring	1	36	991-8	Valve Spring	1
10	P-7	O-Ring	1	37	911A-15	Muffler Retainer	1
11	911-7	1/2" Sq. Anvil	1	38	991-7	O-Ring	1
12	911-6	Cam Spring	1	39	911A-23SC	Inlet Bushing incl. Screen (680-28A)	1
13	911-4	Hammer Pin	2	40	911ASR-1	Reverse Valve	1
14	911-5	Cam	1	41	911A-10	O-Ring	1
15	911-2	Pilot	1	42	911A-6	Regulator	1
16	911B-1	Hammer Cage	1	43	990-26-32	O-Ring	1
17	911-3	Steel Ball	1	44	911A-3	Motor Gasket	1
18	911A-12	O-Ring	1	45	911A-2	Housing Cap	1
19	911-15	O-Ring	1	46	911A-7	Regurate Switch	1
20	6002	Ball Bearing	1	47	SB-1/8	Steel Ball	2
21	961-16	Oil Seal	1	48	960-50	Spring	2
22	935R-2	Front Plate	1	49	911A-4	Reverse Lever	1
23	930B-2	Rotor	1	50	911A-20	Screw	1
24	911A-18	Rotor Blade	6	51	BG-11	Retaining Ring	1
25	930B-1	Cylinder	1	52	Z-1024-220	Cap Screw	4
26	910-21	Motor Pin	1	53	911-51	Muffler w/Cover & O-Ring	1
27	930B-5	Rear Plate	1	★54	911-7L	1/2" Sq. Long Anvil	1

★For E-1472SR