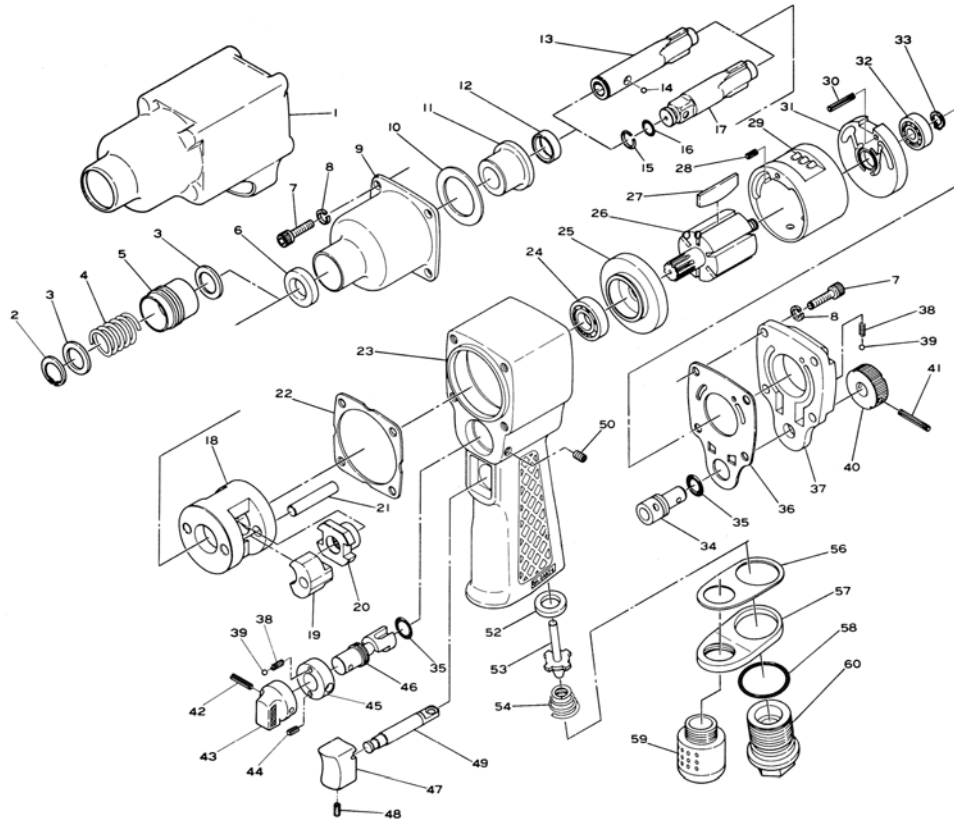


E1365

3/8" Sq. Drv. Impact Wrench



| Ref. No. | Parts No. | Description | Q'ty | Ref. No. | Parts No. | Description | Q'ty |
|----------|------------|---|------|----------|-----------|--------------------------------------|------|
| 1 | 458-58 | Housing Cover | 1 | 30 | 25-15 | Roll Pin (2.5-15mm) | 1 |
| ★2 | GV-12 | Retaining Ring | 1 | 31 | 458-5 | Rear Plate | 1 |
| ★3 | 430-52 | Retaining Washer | 2 | 32 | 626 | Ball Bearing | 1 |
| ★4 | 430-53 | Chuck Sleeve Spring | 1 | 33 | JS-6 | Retaining Ring | 1 |
| ★5 | 430-51 | Chuck Sleeve | 1 | 34 | 458-14 | Air Regulator | 1 |
| 6 | 450-17 | Oil Seal | 1 | 35 | P-8 | O-Ring | 2 |
| 7 | Z-1024-150 | Cap Screw | 8 | 36 | 458-3 | Motor Gasket | 1 |
| 8 | HSW-50 | Washer | 8 | 37 | 458-2 | Housing Cap | 1 |
| 9 | 458-30 | Hammer Housing incl. Bush, Oil Seal & Spacer (450-17, 450-20, 458-59) | 1 | 38 | 960-50 | Spring | 2 |
| 10 | 458-59 | Spacer | 1 | 39 | SB-1/8 | Steel Ball | 2 |
| 11 | 450-20 | Anvil Bushing | 1 | 40 | 911-37 | Regulator Dial | 1 |
| 12 | 450-54 | Collar | 1 | 41 | 30-20 | Roll Pin (3-20mm) | 1 |
| ★13 | 452-4K | 1/4" Hex. Anvil | 1 | 42 | 30-18 | Roll Pin (3-18mm) | 1 |
| ★14 | SB-45 | Steel Ball | 1 | 43 | 458-22 | Reverse Lever | 1 |
| ☆15 | 450-10 | Socket Retainer Ring | 1 | 44 | 30-6 | Roll Pin (3-6mm) | 1 |
| ☆16 | 450-11 | O-Ring | 1 | 45 | 458-25 | Spacer | 1 |
| ☆17 | 452-2 | 3/8" Anvil | 1 | 46 | 458-21 | Reverse Valve | 1 |
| 18 | 452-1 | Hammer Cage | 1 | 47 | 458-27 | Trigger | 1 |
| 19 | 450-51 | Hammer Dog | 2 | 48 | R-M40-60 | Set Screw | 1 |
| 20 | 452-3 | Cam | 1 | 49 | 458-28 | Valve Pin | 1 |
| 21 | 450-52 | Hammer Pin | 2 | 50 | R1-M50-60 | Set Screw | 1 |
| 22 | 458-31 | Hammer Housing Gasket | 1 | 52 | 960-34 | Valve Seat | 1 |
| 23 | 458-1 | Motor Housing incl. Bushes (458-20, 458-29) | 1 | 53 | 960-35A | Valve Assy. incl. Roll Pin (30-32) | 1 |
| 24 | EE-3 | Ball Bearing | 1 | 54 | 991-8 | Valve Spring | 1 |
| 25 | 458-4 | Front Plate | 1 | 56 | 458-46 | Exhaust Gasket | 1 |
| 26 | 458-7 | Rotor | 1 | 57 | 458-45 | Exhaust Retainer | 1 |
| 27 | 458-8 | Rotor Blade | 6 | 58 | 991-7 | O-Ring | 1 |
| 28 | 25-8 | Roll Pin (2.5-8mm) | 1 | 59 | 911-51 | Muffler w/ Cover & O-Ring | 1 |
| 29 | 458-6 | Cylinder | 1 | 60 | 991-5SC | Inlet Bushing incl. Screen (680-28A) | 1 |
| | | | | ★61 | 181-51 | +Bit No.2 | 1 |

* Not Shown ☆ For E-1365 only
★ For E-1365D only

Printed in Japan
★★ Mar. 1999