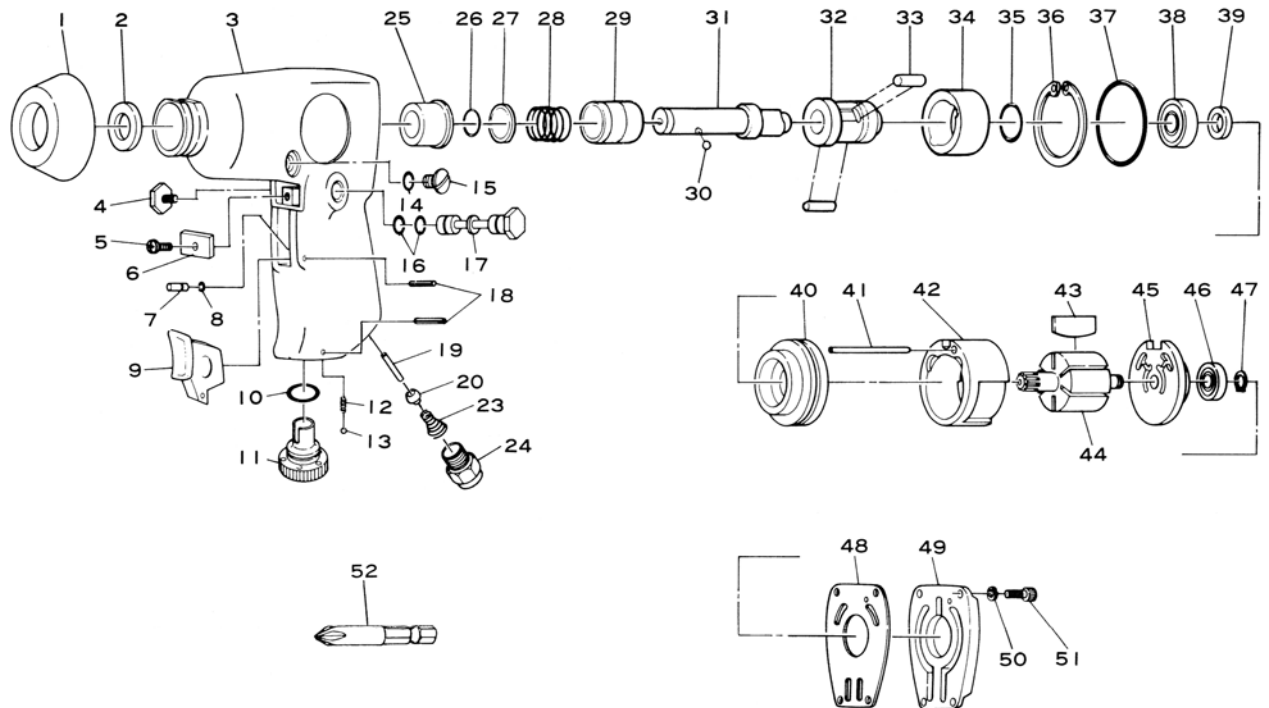


E1355D

Impact Driver



Ref. No.	Parts No.	Description	Q'ty	Ref. No.	Parts No.	Description	Q'ty
1	450-32	Rubber Cap	1	28	430-53	Chuck Sleeve Spring	1
2	450-17	Oil Seal	1	29	430-51	Chuck Sleeve	1
3	445-1	Motor Housing incl. Seal & Bushes (450-17, 445-2, 445-46, 450-20)	1	30	SB-3/16	Steel Ball	1
4	445-26	Reverse Valve Screw	1	31	430-49	1/4" Hex. Anvil	1
5	JBM40-80	Screw	1	32	440-70	Cage	1
6	445-34	Deflector	1	33	440-72	Hammer Pin	2
7	440-18	Push Pin	1	34	440-71	Hammer	1
8	440-26	Push Pin O-Ring	1	35	440-73	O-Ring	1
9	930-19	Trigger	1	36	JO-40	Retaining Ring	1
10	P-12	O-Ring	1	37	450-35	O-Ring	1
11	930-10	Air Regulator	1	38	EE-3	Ball Bearing	1
12	450-45	Regulator Spring	1	39	450-18	Oil Seal	1
13	SB-1/8	Steel Ball	1	40	455-3	Front Plate	1
14	P-5	O-Ring	1	41	445-27	Motor Pin	1
15	450-29	Plug	1	42	450-56	Cylinder	1
16	P-9	O-Ring	2	43	450-37	Rotor Blade	6
17	445-10	Reverse Valve	1	44	450-9	Rotor	1
18	30-20	Roll Pin (3-20mm)	2	45	445-3	Rear Plate	1
19	930-12	Valve Pin	1	46	626	Ball Bearing	1
20	930B-12B	Valve	1	47	JS-6	Retaining Ring	1
23	440-33	Valve Spring	1	48	445-15	Motor Gasket	1
24	990-26-5	Inlet Bushing	1	49	445-45	Housing Cap	1
25	450-20	Anvil Bushing	1	50	HSW-40	Washer	4
26	GV-12	Retaining Ring	1	51	Z-832-160	Cap Screw	4
27	430-52	Retaining Washer	1	52	181-51	+Bit No.2	1