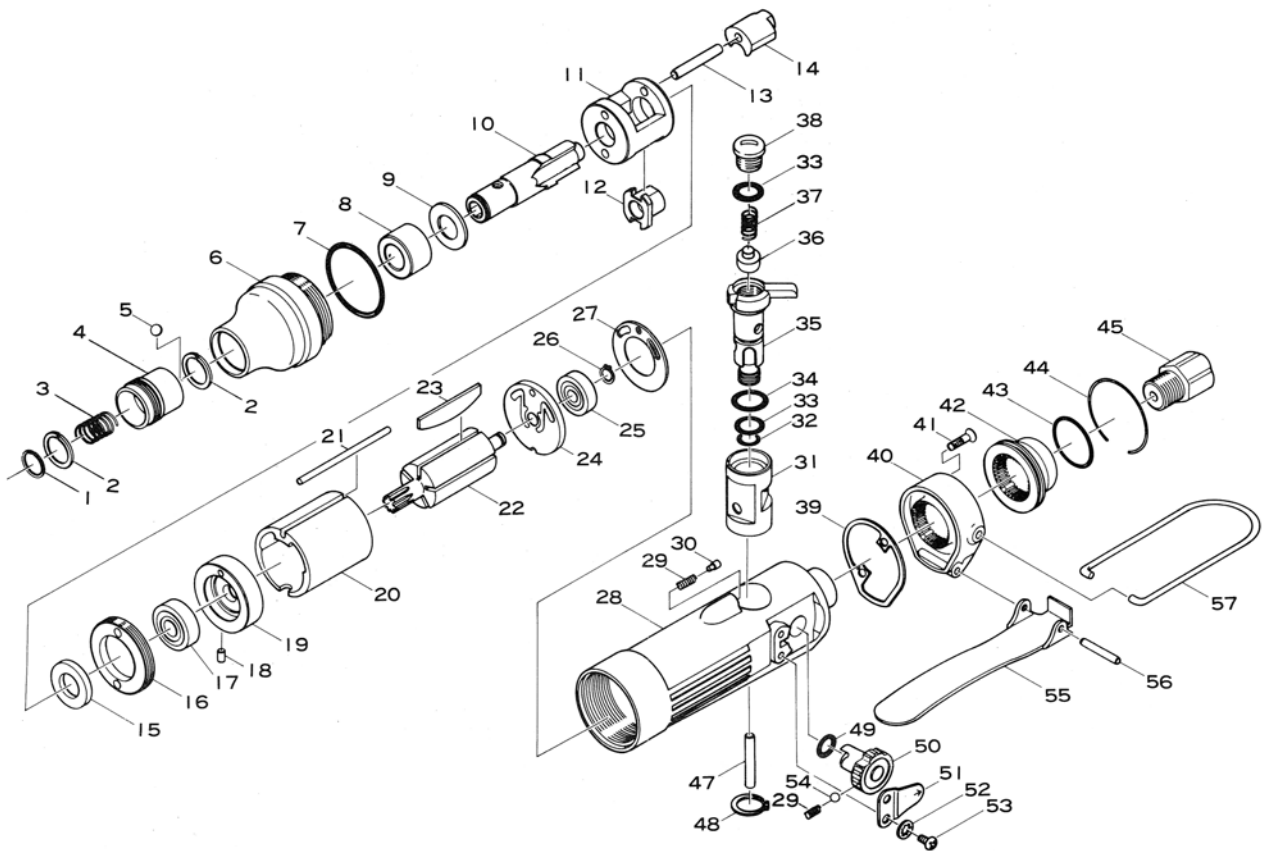


# E-1060

## Impact Driver



Ref. No.	Parts No.	Description	Q'ty	Ref. No.	Parts No.	Description	Q'ty
1	GV-12	Retaining Ring	1	30	670-17	Reverse Pin	1
2	430-52	Retaining Washer	2	31	190-38	Reverse Bush	1
3	430-53	Chuck Sleeve Spring	1	32	P-7	O-Ring	1
4	430-51	Chuck Sleeve	1	33	P-9	O-Ring	2
5	SB-3/16	Steel Ball	1	34	P-12	O-Ring	1
6	190-6	Hammer Case incl. Anvil Bush (360-20)	1	35	190-30	Reverse Lever	1
7	982-31	O-Ring	1	36	300-10	Valve	1
8	360-20	Anvil Bush	1	37	450-24	Valve Spring	1
9	190-8	Anvil Spacer	1	38	800-14	Valve Screw	1
10	190-9	1/4" Hex. Anvil	1	39	190-56	Gasket	1
11	190-13	Hammer Cage	1	40	190-45	Housing Cap	1
12	190-12	Cam	1	41	EZM30-120	Screw	2
13	190-11	Hammer Pin	2	42	620-18	Deflector	1
14	190-10	Hammer Dog	2	43	620-28	O-Ring	1
15	190-14	Spacer	1	44	620-30	Retaining Ring	1
16	190-16	Lock Nut	1	45	180-1SC	Inlet Bushing incl. Screen (680-28A)	1
17	608	Ball Bearing	1	47	190-33	Valve Pin	1
18	25-5	Roll Pin (2.5-5mm)	1	48	JS-10	Retaining Ring	1
19	190-19	Front Plate	1	49	P-8	O-Ring	1
20	217-15	Cylinder	1	50	190-39	Air Regulator	1
21	200-34	Cylinder Pin	1	51	450-14	Regulator Retainer	1
22	190-21	Rotor	1	52	AT-40	Washer	2
23	190-1	Rotor Blade	5	53	JBM40-60	Screw	2
24	217-14	End Plate	1	54	SB-1/8	Steel Ball	1
25	626	Ball Bearing	1	55	985-2	Throttle Lever	1
26	JS-6	Retaining Ring	1	56	30-24	Roll Pin (3-24mm)	1
27	217-32	Motor Gasket	1	57	982-20	Hanger	1
28	190-27	Motor Housing	1	* 58	181-51	+Bit No.2	1
29	450-45	Regulator Spring	2				

\* Not Shown