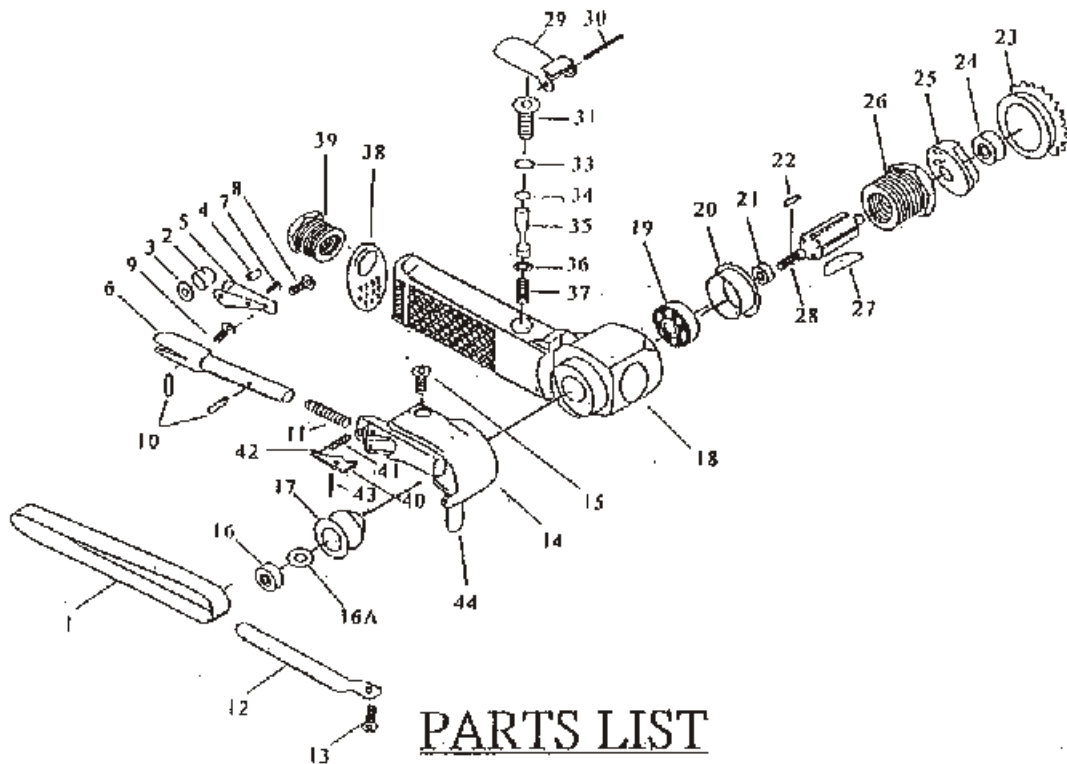


# AT710 Belt Sander -10mm(W) x 330mm (L)

TECHNICAL	Free Speed	: 16,000 RPM
DETA	Sanding Belt-Size	: 10mm(wide)x330mm (Length)
	Air Inlet	: 1/4"-18NPT (19PT)
	Net Weight	: 0.8KGS
	All Length	: 290mm
	Opt. Air Pressure	: 90PSI
	Avg. Air Consumption	: 6 CFM



# AJAX



## PARTS LIST

INDEX	PART #	DESCRIPTION	INDEX	PART #	DESCRIPTION	INDEX	PART #	DESCRIPTION
1	710 01	Sanding Belt (#100)	14	710 14	Guard Stud Ass'y	30	710 30	Lever Pin
1A	710 01A	Sanding Belt (#80)	14A	710 14A	Guard Bushing	31	710 31	Valve Body
1B	710 01B	Sanding Belt (#120)	15	710 15	Hex. Bolt	33	710 33	"O" Ring
2	710 02	Idle Pulley Ass'y	16	710 16	Hex. Pulley	34	710 34	"O" Ring
2A	710 02A	Idle Pulley	16A	710 16A	Washer	35	710 35	Valve Stem Spring
2B	710 02A	Ball Bearing	17	710 17	Drive Pulley	36	710 36	"O" Ring
2C	710 02C	Washer	18	710 18	Housing	37	710 37	Valve Spring
3	710 03	Washer	19	710 19	Ball Bearing	38	710 38	Diffuser Exhaust
4	710 04	Idle Pulley Screw	20	710 20	End Plate	39	710 39	Air Inlet
5	710 05	Bracket	21	710 21	Spacer	40	710 40	Tension Bar
6	710 06	Tension Bar	22	710 22	Sunk Key	41	710 41	Spring
7	710 07	Hex. Set Screw	23	710 23	Cap	42	710 42	Lever Pin
8	710 08	Cross-Recessed Screw	24	710 24	Ball Bearing	43	710 43	Lever Pin
9	710 09	Spring	25	710 25	End Plate	44	710 44	Dust Cover
10	710 10	Spring (2)	26	710 26	Cylinder	45	710 45	Hex. Wrench
11	710 11	Spring	27	710 27	Blade Ass'y (4)	46	710 46	Hex. Wrench
12	710 12	Shoe	28	710 28	Rotor			
13	710 13	Cross-Recessed Screw	29	713 31	Throttle Lever			