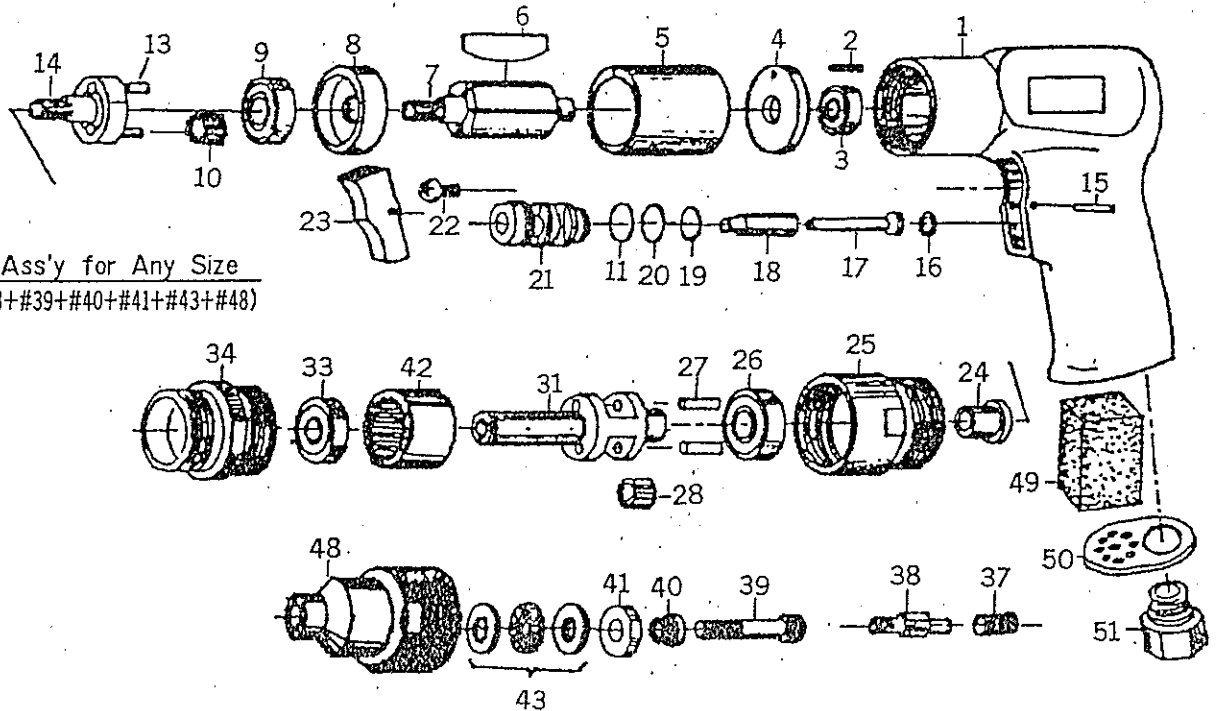


# AT801 Thread Setter Tool M3/M4

TECHNICAL	Rivet Nut Setting Capacity	: M3,M4
DETA	Free Speed	: 900 RPM
	Air Inlet	: 1/4"-18NPT (19PT)
	Net Weight	: 1.3KGS
	All Length	: 7-3/8"
	Opt. Air Pressure	: 90PSI
	Avg. Air Consumption	: 5 CFM



\*Head Ass'y for Any Size  
 (\*#37+#38+#39+#40+#41+#43+#48)

## PARTS LIST

INDEX.	PART #	DESCRIPTION
1	801.01	Motor Housing
2	801.02	Spring Pin
3	801.03	Ball Bearing
4	801.04	Rear End Plate
5	801.05	Cylinder
6	801.06	Rotor Blade (4)
7	801.07	Rotor
8	801.08	Front End Plate
9	801.09	Ball Bearing
10	801.10	Planet Gear (3)
11	801.11	Planet Pin (3)
13	801.13	"O" Ring
14	801.14	Planet Cage
15	801.15	Roll Pin
16	801.16	"O" Ring
17	801.17	Valve Stem (2)
18	801.18	Valve Sleeve (2)
19	801.19	"O" Ring (2)
20	801.20	"O" Ring (2)
21	801.21	Throttle Valve Bushing (2)
22	801.22	Screw
23	801.23	Trigger
24	801.25	Bushing

INDEX.	PART #	DESCRIPTION
25	801.25	Gear Housing
26	801.26	Ball Bearing
27	801.27	Planet Pin (2)
28	801.28	Planet Gear (2)
31	801.31	Planet Cage
33	801.33	Ball Bearing
34	801.34	Screw Housing
37	801.37	Spring
38A	801.38A	Hexagon Bit (M3)
38B	801.38B	Hexagon Bit (M4)
39A	801.39A	Blot (M3)
39B	801.39B	Blot (M4)
40A	801.40A	Blot Bushing (M3)
40B	801.40B	Blot Bushing (M4)
41	801.41	Washer
42	801.42	Internal Gear
43	801.43	Needle Bearing & Washer (2)
48A	801.48A	Nut Anvil (M3)
48B	801.49B	Nut Anvil (M4)
49	801.49	Muffler
50	801.50	Diffuser Exhaust
51	801.51	Air Inlet Bushing