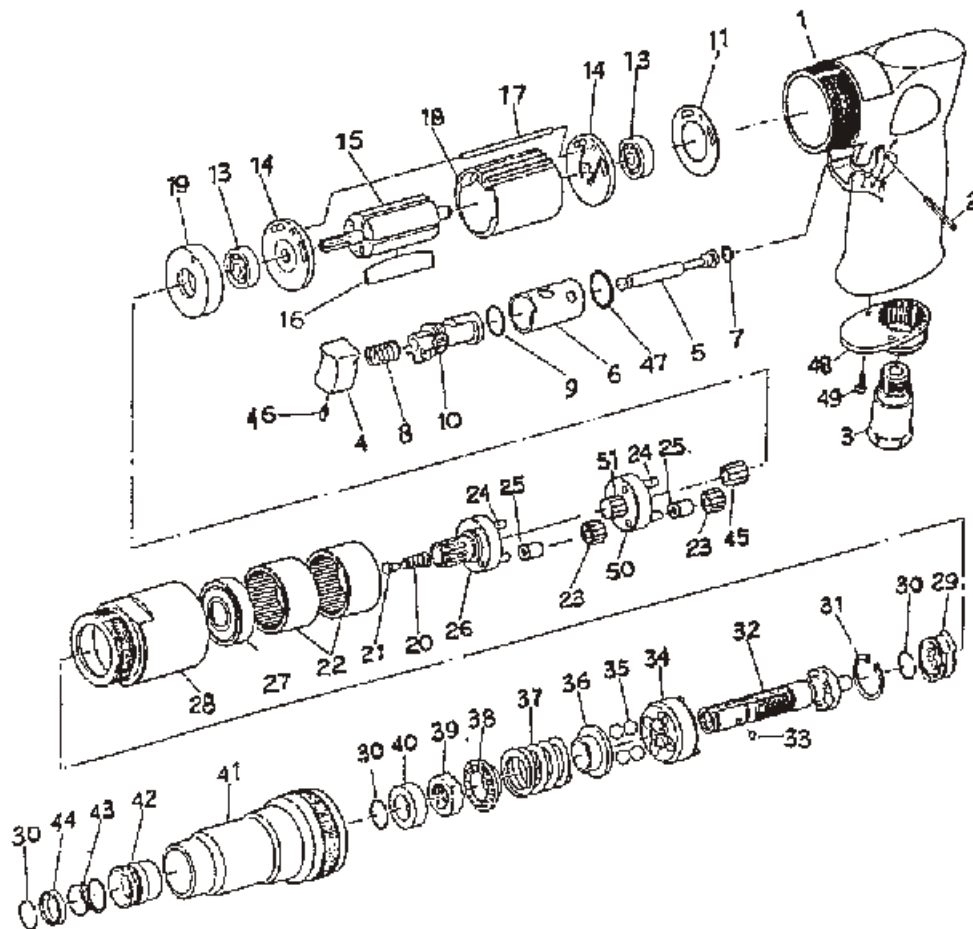


# AT404-8 800rpm Screwdriver - with adjustable clutch



Index No.	Parts No.	Description	Index No.	Parts No.	Description
1	80301	Housing	28	80328	Clamp Nut
2	80302	Pin	29	80329	Drive Dog
3	80303	Air Inlet	30	80330	Retaining Ring (3)
4	80304	Trigger	31	80331	Retaining Ring
5	80305	Valve Stem	32	80332	Cam Spindle
6	80306	Reverse Pushing	33	80333	Steel Ball
7	80307	O-Ring	34	80334	Clutch Carrier
8	80308	Valve Spring	35	80335	Steel Ball (4)
9	80309	O-Ring	36	80336	Washer
10	80310	Reverse Lever	37	80337	Spring
11	80311	Motor Gasket	38	80338	Washer
13	80313	Ball Bearing(2)	39	80339	Adjust Nut
14	80314	End Plate (2)	40	80340	Spacer
15	80315	Rotor	41	80341	Clutch Housing
16	80316	Rotor Blade (5)	42	80342	Ball Retainer
17	80317	Pin	43	80343	Spring
18	80318	Cylinder	44	80344	Washer
19	80319	Spacer	45	80345	Pinion Gear
20	80320	Spring	46	80346	Set Screw
21	80321	Spring Guide	47	80347	O-Ring
22	80322	Internal Gear (2)	48	80348	Exhaust Diffuser
23	80323	Planet Gear (6)	49	80349	Screw (2)
24	80324	Pin (6)	50	80350	Reduction Spindle
25	80325	Spacer (6)	51	80351	Center Gear
26	80326	Work Spindle			
27	80327	Ball Bearing			