

AT281 AIR NEEDLE SCALER/AT132 FLUX CHIPPER

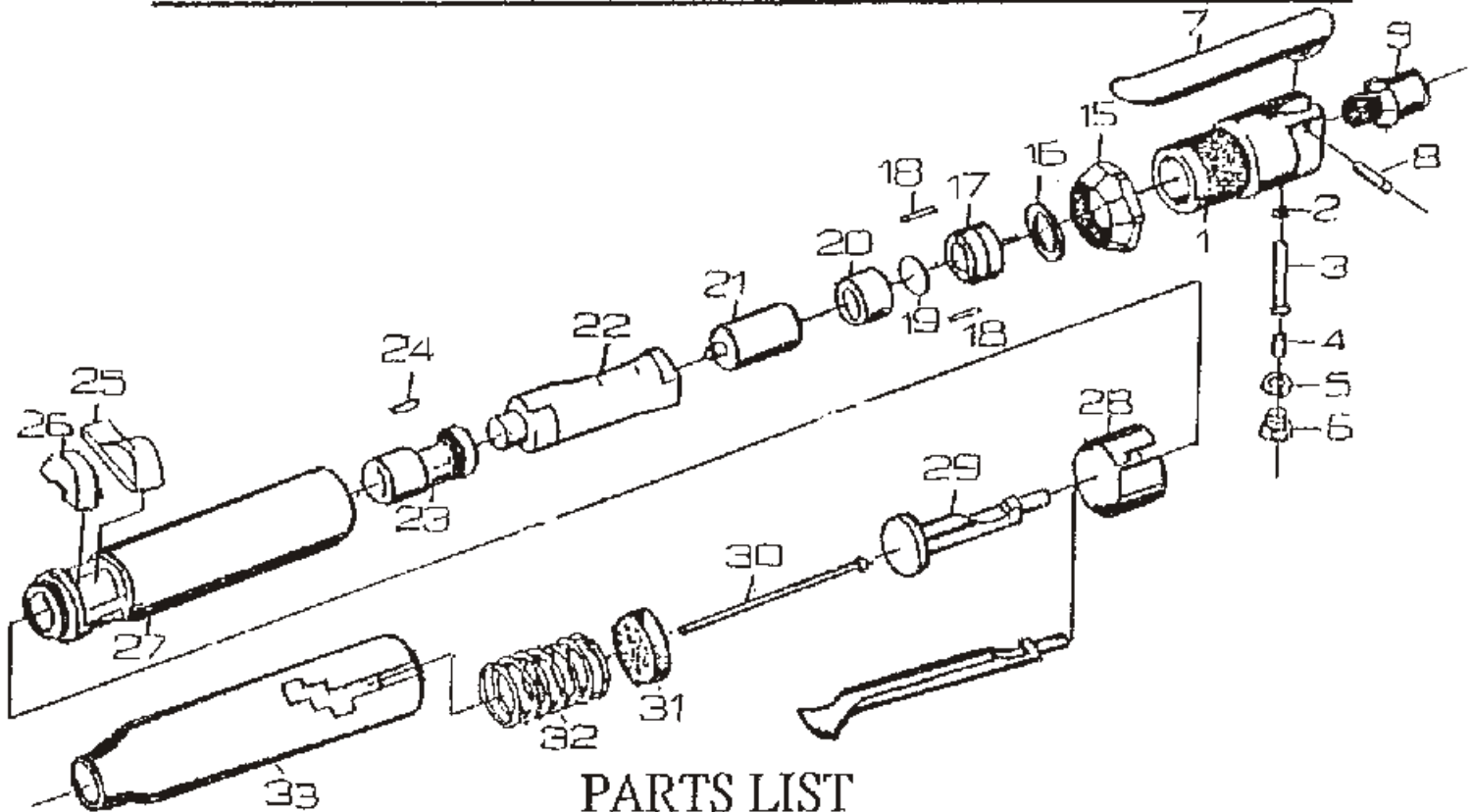
TECHNICAL
DATA

CE

Needle Size : O.D. 3mm x 7"-19pcs
 Free Speed : 4,600 BPM
 Stroke Length : 1-1/8"
 Air Inlet : 1/4"-18NPT (19PT)
 Net Weight : 2.8KGS (6.2LBS)
 All Length : 18"
 Opt. Air Pressure : 90PSI
 Avg. Air Consumption : 5CFM



AJAX



PARTS LIST

INDEX.	PART #	DESCRIPTION
1	281 01	Handle Valve Body
2	281 02	"O" Ring
3	281 03	Throttle Valve
4	281 04	Spring
5	281 05	Gasket
6	281 06	Valve Cap
7	281 07	Lever
8	281 08	Pin
9	281 09	Hose Adapter
10	281 10	Locking Ring
11	281 11	Casing Lock Nut
12	281 12	Valve Handle
13	281 13	Valve Band
14	281 14	Throttle Valve
15	281 15	"O" Ring
16	281 17	Alignment Shim
17	281 18	Rear Valve Block

INDEX.	PART #	DESCRIPTION
18	281 18	Pin (2)
19	281 19	Valve
20	281 20	Front Valve Block
21	281 21	Piston
22	281 22	Barrel Sleeve
23	281 23	Nose
24	281 24	Key
25	281 25	Driver Retainer
26	281 26	Retainer Buffer
27	281 27	Body Ass'y
28	281 28	Retainer Clip
29	281 29	Needle Driver
30	281 30	Needle (19)
31	281 31	Needle Holder
32	281 32	Spring
33	281 33	Needle Tube
34	132 01	Chisel