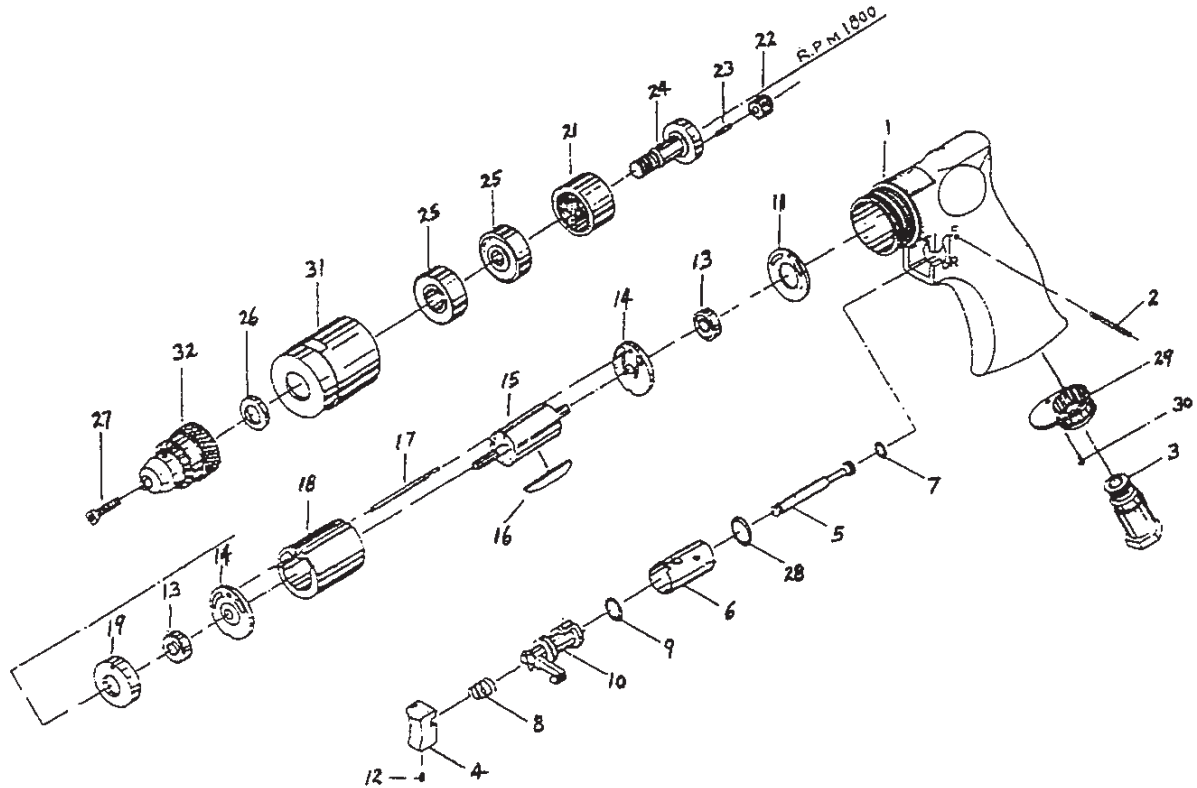


AT252 1800rpm 3/8" Reversible Drill



Item No.	Part No.	Description
1	402001	Housing
2	402002	Spring Pin
3	402003	Air Inlet
4	402004	Trigger
5	402005	Valve Stem
6	402006	Reverse Bushing
7	402007	O-Ring
8	402008	Valve Spring
9	402009	O-Ring
10	402010	Reverse Lever
11	402011	Motor Gasket
12	402012	Set Screw
13	402013	Ball Bearing (2)
14	402014	End Plate (2)
15	402015	Rotor
16	402016	Rotor Blades (5)

Item No.	Part No.	Description
17	402017	Pin
18	402018	Cylinder
19	402019	Spacer
20	402020	Center Gear
21	402021	Internal Gear (2)
22	402022	Planet Gear (3)
23	402023	Pin (3)
24	402024	Work Spindle
25	402025	Ball Bearing (2)
26	402026	Nut
27	402027	Chuck Screw
28	402028	O-ring
29	402029	Wxhaust Deffuser
30	402030	Screw (2)
31	402031	Clamp Nut
32	402032	Drill Chuck (3/8")