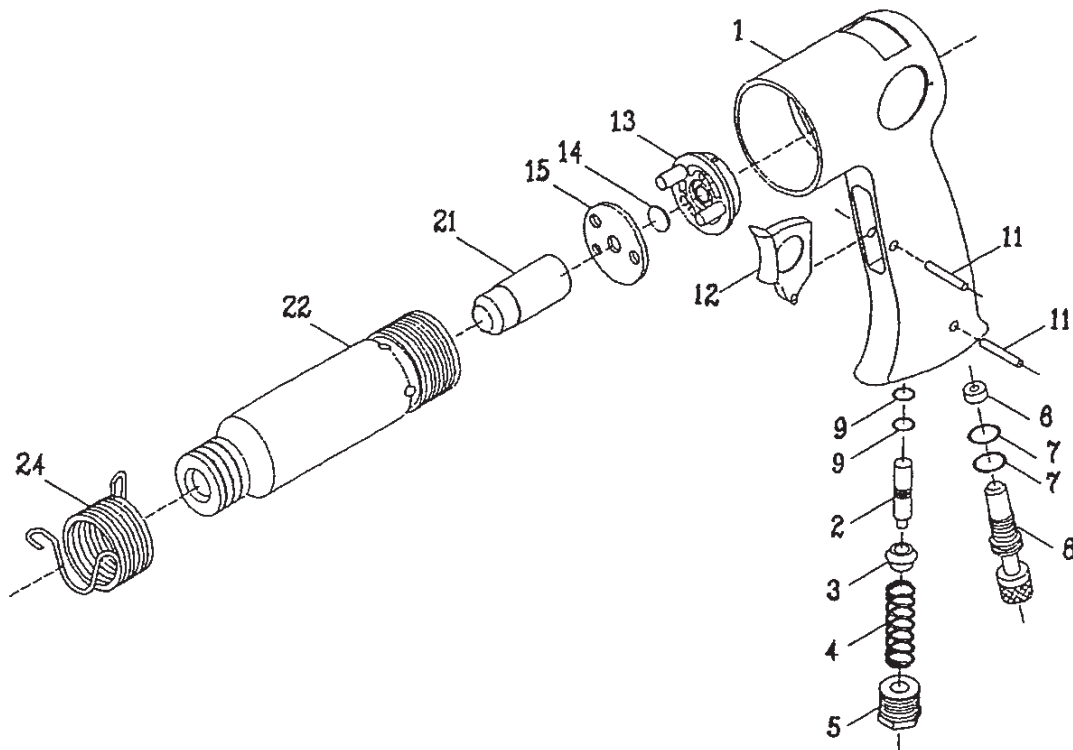


AT217 Heavy Duty Air Hammer

TECHNICAL DATA	Bore Diameter	: 3/4" (19.05 mm)
	Chisel Shank Opening - Round (CAH193F)	: .401" (10.2 mm) Dia.
		Hex. (CAH 193FH)
	Stroke Length	: 1-5/8" (41 mm)
	Operating Air Pressure	: 6.3 Bar (90 Psi)
	Blows per Minute @ 90 Psig	: 4,500 BPM
	Avg. Air Consumption @ 90 Psig	: 4 SCFM
	Tool Weight	: 1.35 Kg (2.9Lb)
	Min. Hose Size	: 9.5mm (3/8") I.D.
	Air Inlet Size	: 1/4" NPTF
	Sound dBA Pressure (Power)	: 101 (111)
	Vibration	: 16.3 M/S ²



PARTS LIST

Index #	Part #	Description	Index #	Part #	Description
1-1.	193111	Handle (m)	11.	SP3016	Spring Pin (2)
1-2.	193121	Handle (m)	12.	192601	Trigger
2.	192612	Valve Stem	13.	192311	Upper Valve Seat
3.	192615	Valve Seat	14.	192302	Valve Disc
4.	192614	Valve Spring	15.	192303	Lower Valve Seat
5.	192211	Throttle Cap	21.	193412	Piston (m)
6.	192214	Rubber Seat	22-1	193421	Cylinder (m)
7.	OR0813	O-Ring (2)	22-2	193431	Cylinder (m)- Hex. (Opt.)
8.	192212	Regulator	24.	192901	Retainer Spring
9.	OR0305	O-Ring (2)			