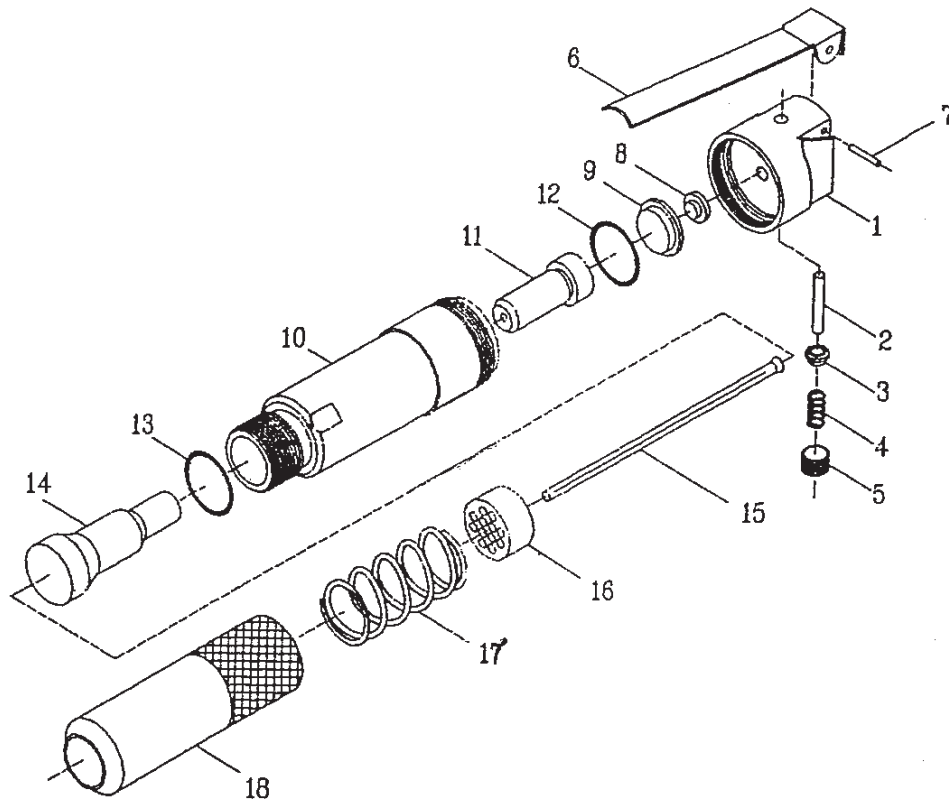


AT121 Air "Mini" Needle Scaler

**TECHNICAL
DATA**

Bore Diameter	: 18.00 mm
Stroke Length	: 1-5/8" (41 mm)
Operating Air Pressure	: 6.3 Bar (90 Psi)
Blows per Minute @ 90 Psig	: 4,000 BPM
Avg. Air Consumption @ 90 Psig	: 5 SCFM
Tool Weight	: 1.3 Kg (2.9 Lb)
Overall Length	: 11-3/8" (289 mm)
Min. Hose Size	: 9.5mm (3/8") I.D.
Air Inlet Size	: 1/4" NPTF



PARTS LIST

Index	Part #	Description	Index	Part #	Description
1.	121101	Back Head	10.	121401	Cylinder
2.	RP3022	Valve Stem	11.	121402	Piston
3.	121605	Valve Seat	12.	OR3036	O-Ring, Head & Cylinder
4.	121607	Spring	13.	OR2531	O-Ring, Nut & Cylinder
5.	182807	Plug Screw	14.	121703	Needle Driver
6.	121601	Lever	15.	121705	Needle (12)
7.	SP3020	Spring Pin	16.	121704	Needle Holder
8.	918207	Rubber Cushion	17.	121702	Return Spring
9.	121302	Valve Cap	18.	121701	Needle Tube