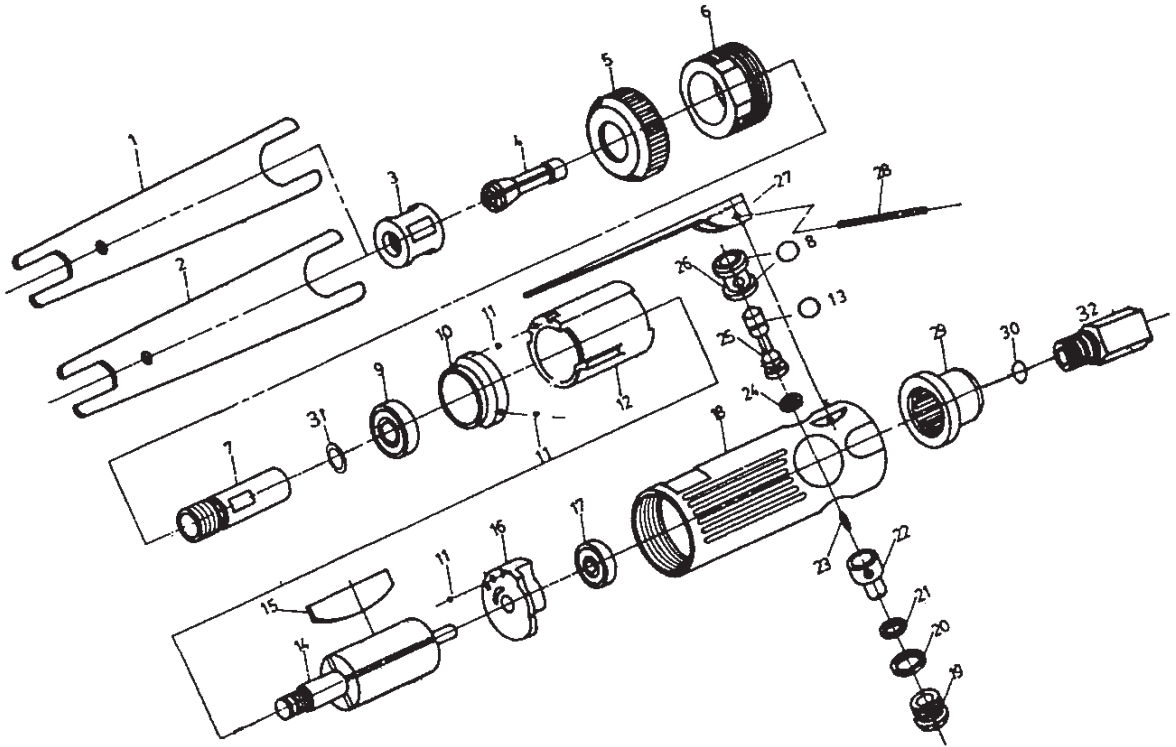


# AT127 Rear Exhaust Die Grinder



Ref. No.	Description	Q'ty	Ref. No.	Description	Q'ty
1	Double Ended Spanner	1	17	Ball Bearing	1
2	Double Ended Spanner	1	18	Motor Housing	1
3	Collet Nut	1	19	Valve Screw	1
4	Collet	1	20	"O" Ring	1
5	Housing Cap	1	21	"O" Ring	1
6	Retainer	1	22	Air Regulator	1
7	Spindle	1	23	Spring	1
8	"O" Ring	2	24	"O" Ring	1
9	Ball Bearing	1	25	Throttle Valve	1
10	Front End Plate	1	26	Valve	1
11	Ball	3	27	Safety Throttle Lever	1
12	Cylinder	1	28	Throttle Lever Pin	1
13	"O" Ring	1	29	Exhaust Deflector	1
14	Rotor	1	30	"O" Ring	1
15	Rotor Blades	4	31	Washer	1
16	Rear Plate	1	32	Inlet Bushing	1