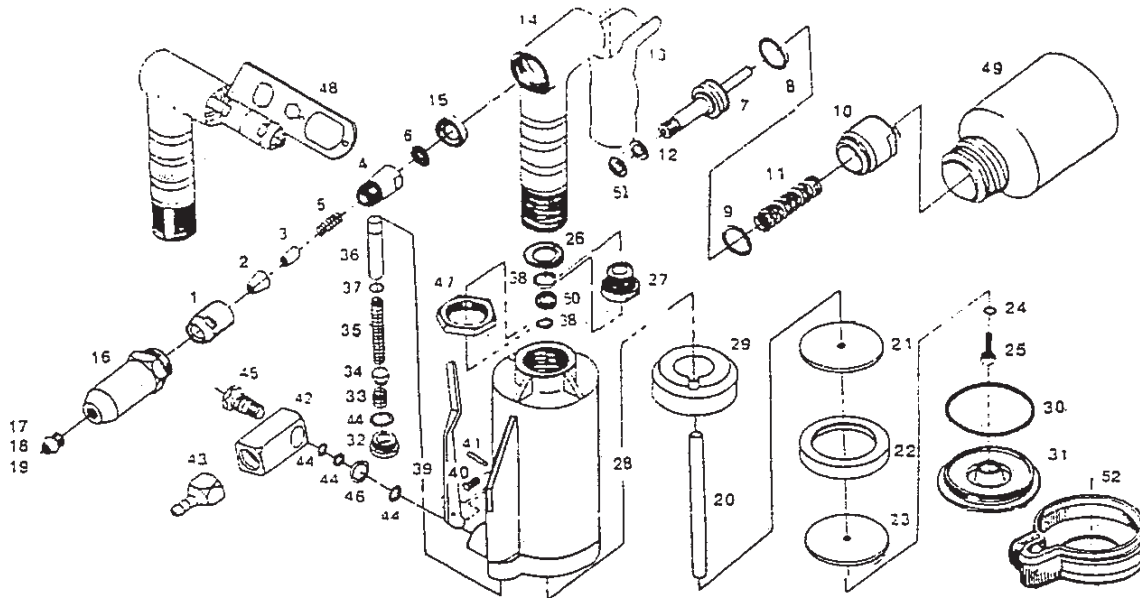


RT105 3/16" Air-Hydraulic Riveter

TECHNICAL DETA	Blind Rivet Setting Capacity : Max. 3/16" Dia.	
	Traction Power : 1,983Lbs	
	Air Inlet : 1/4"-18NPT (19PT)	
	Net Weight : 3.3LBS	
	All Length : 12-3/4"	
	Opt. Air Pressure : 90PSI	
	Avg. Air Consumption : 0.04 CU.Ft/ Stroke	



PARTS LIST

INDEX.	PART #	DESCRIPTION
1	105 01	Jaw Housing
2	105 02	Jaw (3)
3	105 03	Jaw Pusher
4	105 04	Jaw Housing Coupler
5	105 05	Spring
6	105 06	Nut
7	105 07	Hydraulic Plunger
8	105 08	"O" Ring Seal
9	105 09	"O" Ring Washer
10	105 10	Screw Plug
11	105 11	Hydraulic Retain spring
12	105 12	"O" Ring Seal
13	105 13	Hand Grip
14	105 14	Hydraulic Section
15	105 15	Wiper Ring
16	105 16	Head
17	105 17	1/8" Nosepiece
18	105 18	5/32" Nosepiece
19	105 19	3/16" Nosepiece
20	105 20	Plunger Rod
21	105 21	Front Piston Head Disc
22	105 22	Piston Head Packing Ring
23	105 23	Rear Piston Head Disc
24	105 24	Piston Head Spring Washer
25	105 25	Piston Head Lock Screw
26	105 26	"O" Ring Seal
27	105 27	Hydraulic Rod Guide
28	105 28	Air Cylinder Body
29	105 29	Damping Ring

INDEX.	PART #	DESCRIPTION
30	105 30	"O" Ring
31	105 31	Air Cylinder Cap
32	105 32	Screw Plug
33	105 33	Valve Pressure Spring
34	105 34	Valve Plate
35	105 35	Valve Spring
36	105 36	Valve Tube
37	105 37	"O" Ring Valve Tube
38	105 38	"O" Ring Seal (2)
39	105 39	Trigger Arm
40	105 40	Spring
41	105 41	Roll Pin
42	105 42	1/4" Inlet Fitting Female
44	105 44	"O" Ring Seal (3)
45	105 45	Air Inlet Plug
46	105 46	Sealing Washer
47	105 47	Lock Nut
48	105 48	Wrench
49A	105 49A	Plastic Bottle
49B	105 49B	14mm Wrench (2)
49C	105 49C	Jaws (3)
50	105 05	"O" Ring Washer
51	105 51	"O" Ring Washer
52	105 52	Rubber Cushion
53	105 53	Repair Parts:
		Inc.
		All Seals & "O" Ring.
		Elongated Nosepiece